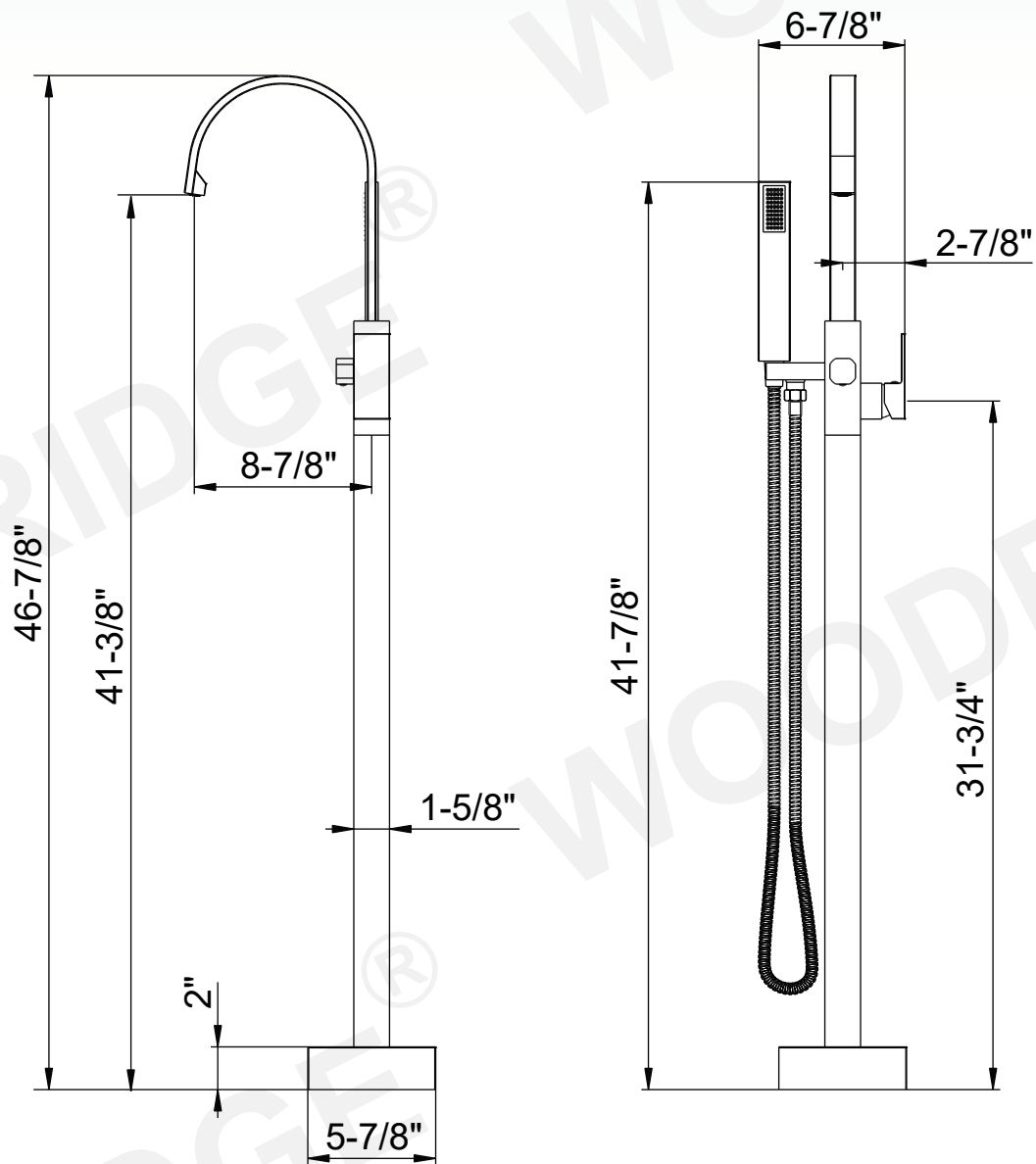


## PREPARATION FOR INSTALLATION



**ATTENTION!** Dimensions may vary by up to 3/8". It is highly recommended to pull all dimensions of actual model for installation and measuring purposes.

**ATTENTION!** Measurements in inches are rounded to the nearest 1/8".

### TECHNICAL DATA

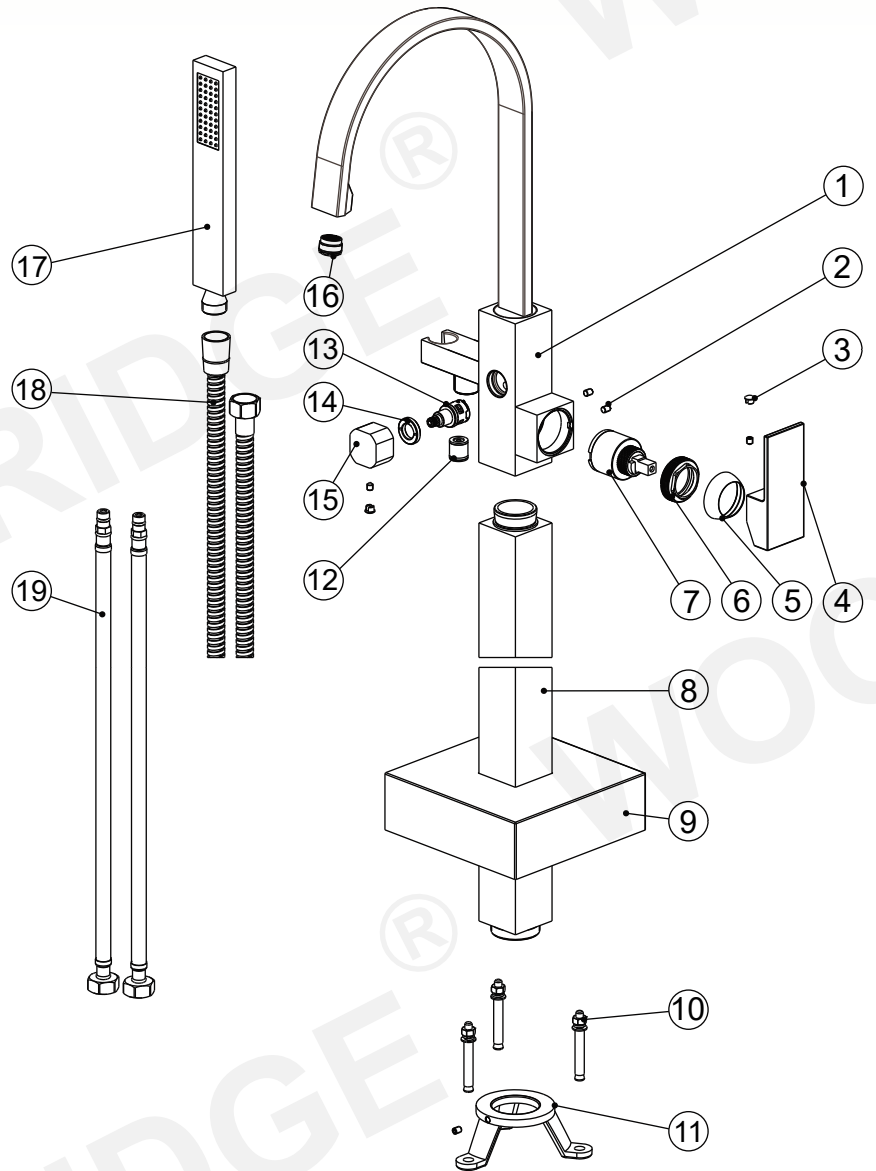
Max flow rate 5.0 GMP at 80 PSI

Customer Service Phone: 562-229-0088. (Monday - Friday 9 AM - 5 PM Pacific Time)

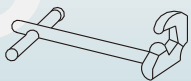
Or Email: [help@woodbridgebath.com](mailto:help@woodbridgebath.com)

## PARTS & COMPONENTS

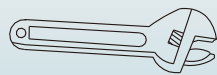
No	Component
1	Body
2	Screw
3	Canopy
4	Handle
5	Cap
6	Press Hat
7	Flow Cartridge
8	Take Over
9	Cover
10	Screw
11	Triangle Plank
12	Check Valve
13	Diverter Cartridge
14	Press Hat
15	Diverter Handle
16	Aerator
17	Spray Head
18	Shower Hose
19	Flexible Hose



### TOOLS REQUIRED FOR INSTALLATION



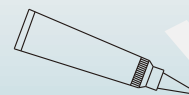
Basin Wrench



Adjustable Wrench



Teflon Tape



Silicone Sealant

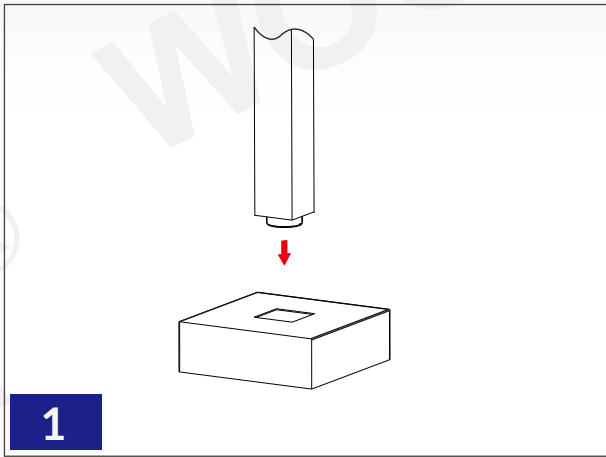


Screwdriver

OTHER TOOLS MAY BE REQUIRED

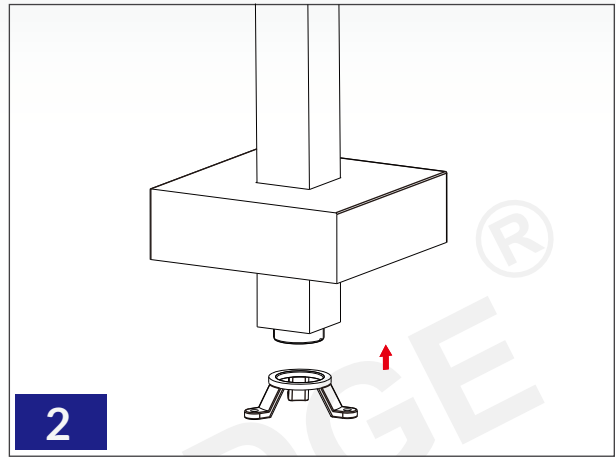


## INSTALLATION INSTRUCTIONS



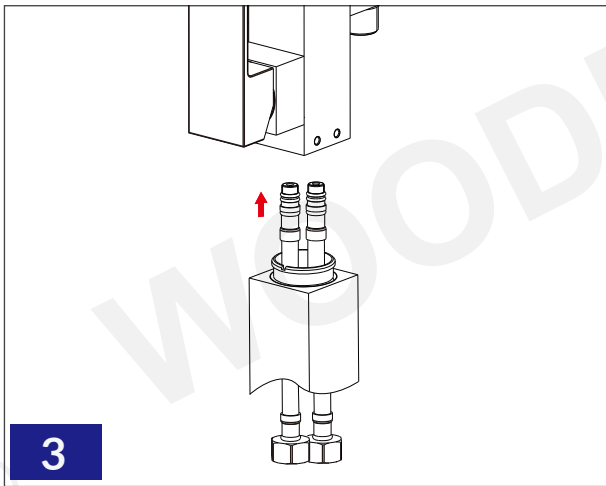
1

Put the base cover over the pipe.



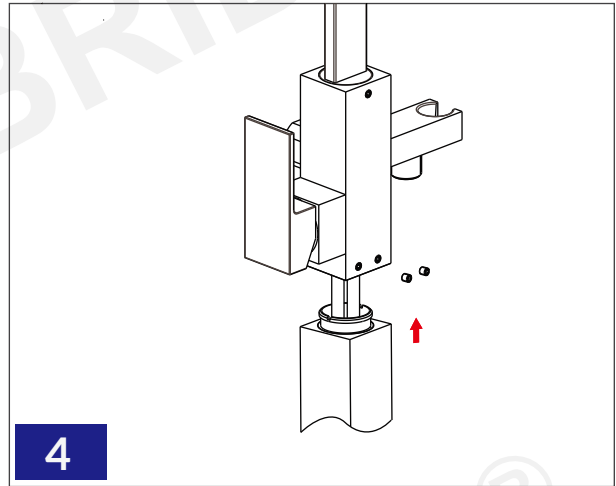
2

Screw the pipe to the base.



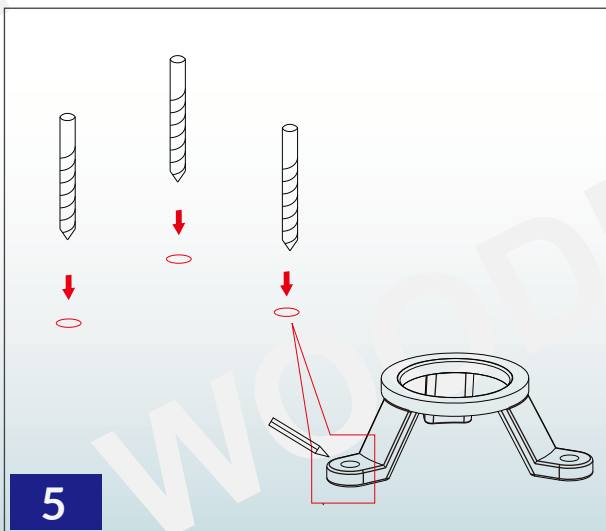
3

Install the flexible hose now and ensure the flexible hoses are hand tightened into place. (DO NOT USE SPANNER TO TIGHTEN AS IT CAN DAMAGE THE O-RING). The flexible hoses are to be fitted into the correct inlets for hot water and for cold water.



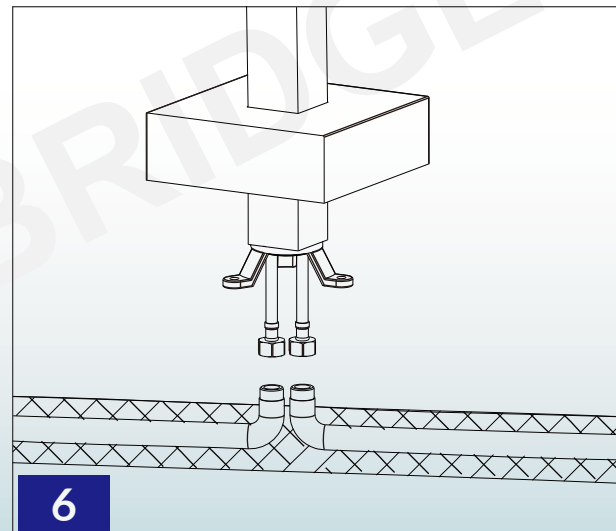
4

Fix the faucet body to the pipe.



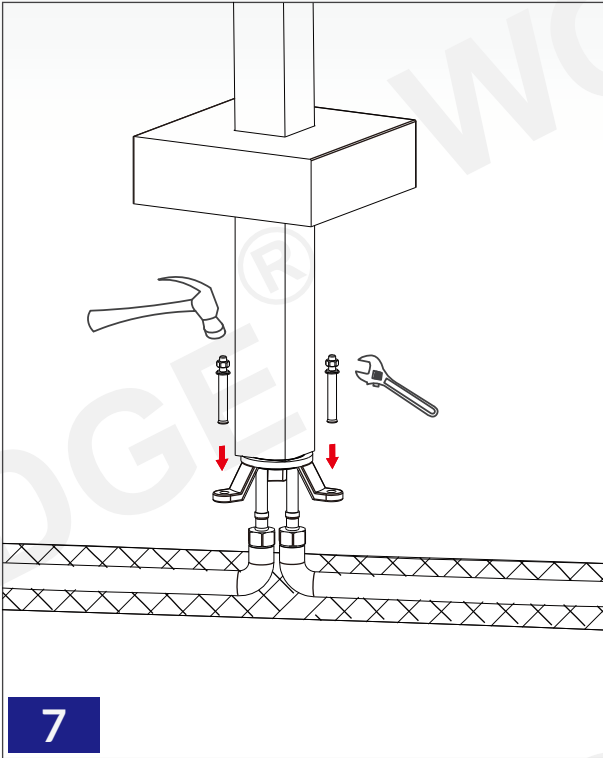
5

Fix the screw position



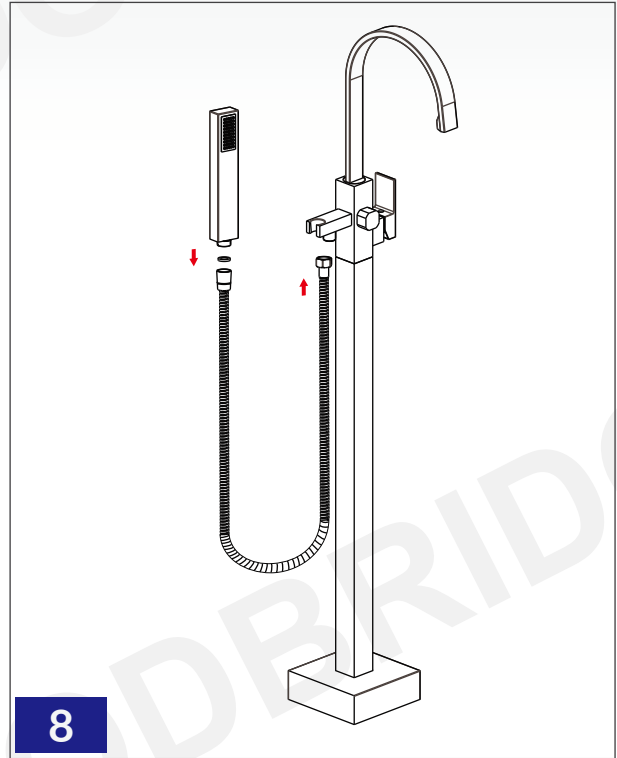
6

Connect another side of the flexible hose to the water supply pipe. Make sure they are to be fitted into the correct outlets for hot water and cold water.



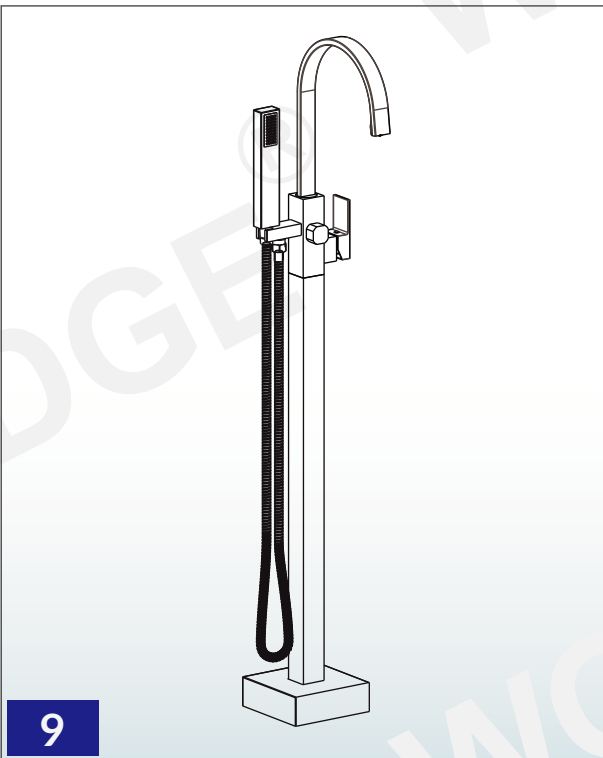
7

Use the explosion screw to fix the base on the ground. and put the base cover over the base.



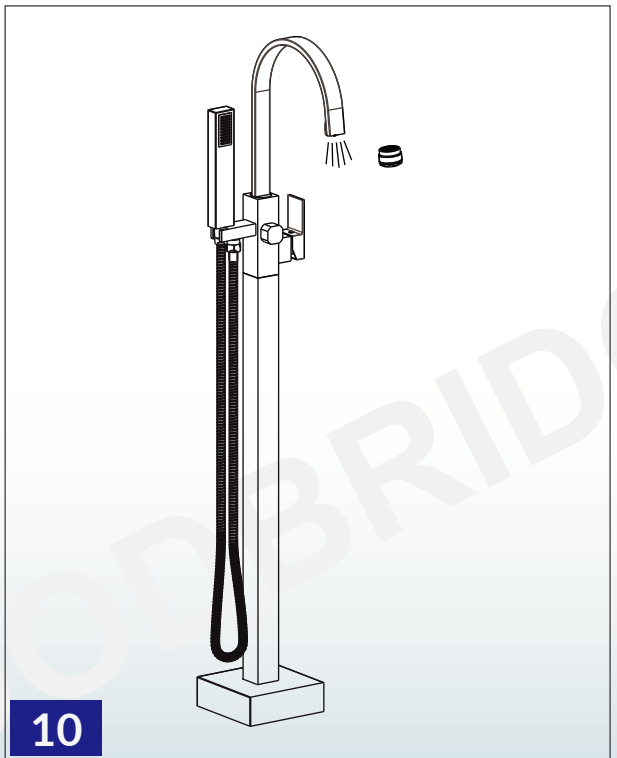
8

Connect the shower hose and hand shower.



9

The installation is completed.



10

After installation is complete, remove Spray head and rotate handle to the close position. Turn Water Supply Valves on, and check all connections for leak. Flush faucet by running hot and cold water in full position for one minute. Re tighten the Aerator.