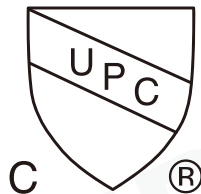


INSTALLATION AND CARE GUIDE

WOODBIDGE[®] FREESTANDING FAUCET

Certified to the following Codes & Standard:

- ASME A112.18.1-2018/CSA B125.1-18
- NSF/ANSI/CAN 61-2018



READ ALL INSTRUCTIONS BEFORE UNPACKING THE PRODUCT

This products must be installed by a fully insured and licensed plumber only. Installation of any our product by anyone other than fully insured and licensed plumber shall void limited warranty. We recommends that such licensed plumber has experience in the installation of products.

Limited warranty is void on any commercial installation

We are not responsible for local code compliance for this product. Building and plumbing codes may vary from state-to-state in accordance to your location. We are not responsible for providing any compliance certifications.

Under no circumstances we shall not be liable for any incidental damages sustained in connection with this product

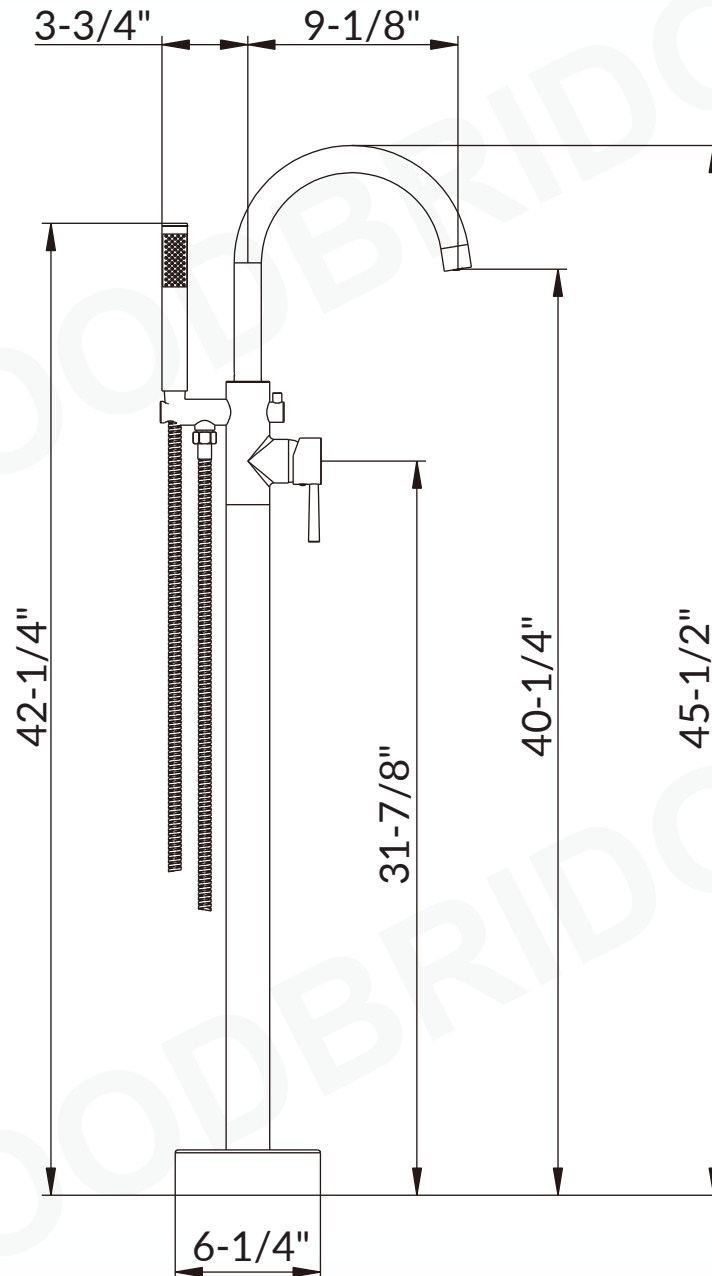
Neither manufacture, nor distributor, nor retailer is responsible for water damage or flood caused due to use of this product.

Under no circumstances We shall not be liable for any and all fees, cost of installation/reinstallation/removal, subsequent damage or transportation in case of the product defect

Customer Service Phone: 562-229-0088. (Monday - Friday 9 AM - 5 PM Pacific Time)

Or Email: help@woodbridgebath.com

PREPARATION FOR INSTALLATION



ATTENTION! Dimensions may vary by up to $\frac{3}{8}$ ". It is highly recommended to pull all dimensions of actual model for installation and measuring purposes.

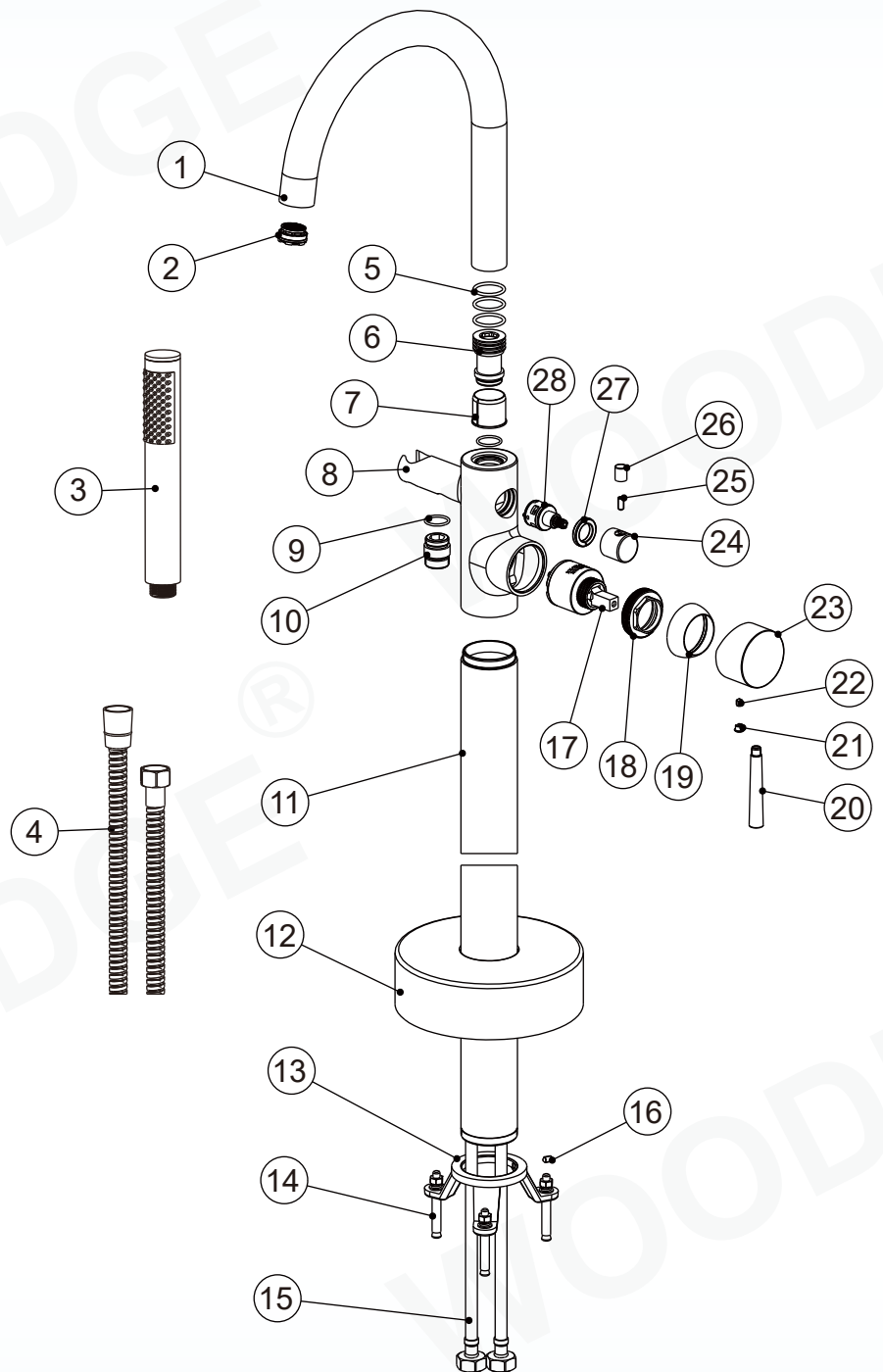
ATTENTION! Measurements in inches are rounded to the nearest $\frac{1}{8}$ ".

TECHNICAL DATA

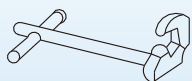
Maximum spout flow rate 8.0 GPM at 80 PSI,
Maximum hand shower flow rate 1.8 GPM at 80 PSI

PARTS & COMPONENTS

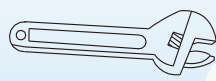
No	Component
1	Spout
2	Aerator
3	Hand Shower
4	Shower Hose
5	O-Ring
6	Joint
7	Plastic Sleeve
8	Hand Shower Post
9	O-Ring
10	Joint
11	Faucet Tube
12	Base Cover
13	Triangle Pod
14	Explosion Screw
15	Flexible Hose
16	Screw
17	Cartridge
18	Lock Nut
19	Handle Cap
20	Handle Tip
21	Index Cap
22	Set Screw
23	Handle Cover
24	Handle Cover
25	Set Screw
26	Diverter Handle Tip
27	Lock Nut
28	Diverter cartridge



TOOLS REQUIRED FOR INSTALLATION



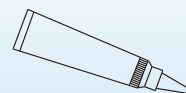
Basin Wrench



Adjustable Wrench



Teflon Tape



Silicone Sealant



Screwdriver

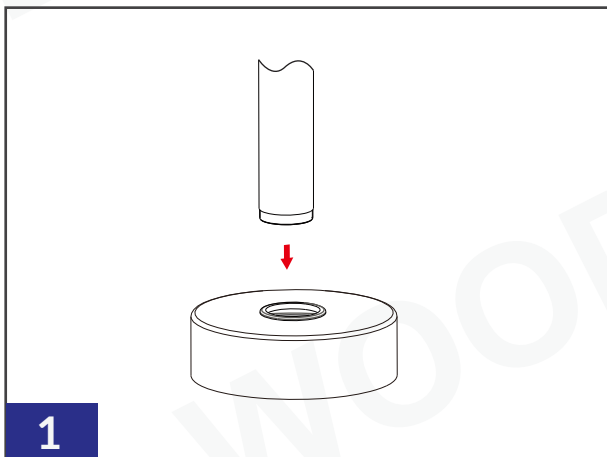
OTHER TOOLS MAY BE REQUIRED

INSTALLATION INSTRUCTIONS

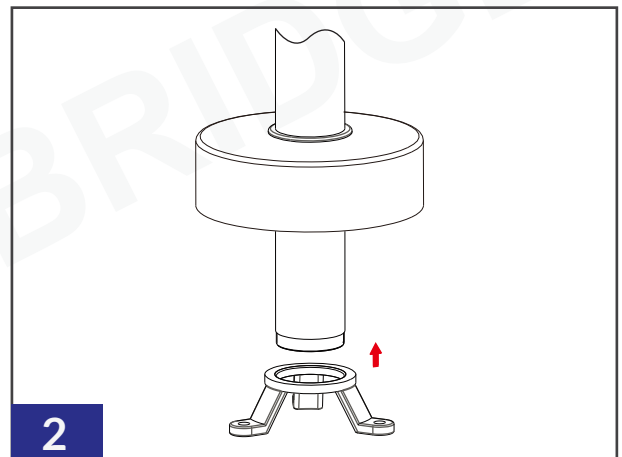
INSTALLATION INSTRUCTIONS FOR FLOOR MOUNT TUB FILLER FAUCET

BEFORE BEGINNING INSTALLATION:

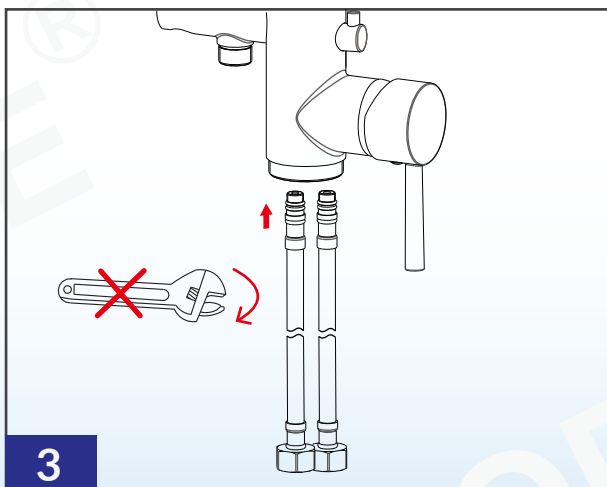
1. Open the package and inspect the faucet for any defect or missing parts prior to installation.
2. This faucet should be located away from traffic areas; impact both by foot traffic or floor cleaning equipment may damage the faucet and might cause a leak which result in water damage.
3. Please read this installation instruction throughhly, make sure that you have all the required tools and supplies needed to complete this installation.
4. Due to the applicationa and design of this faucet, extensive consideration should given to its installation.
5. Flush all supply lines prior to installation.
6. Shut off both HOT and COLD supply line after flushing.



Step 1: Insert the faucet tube into the base cover.

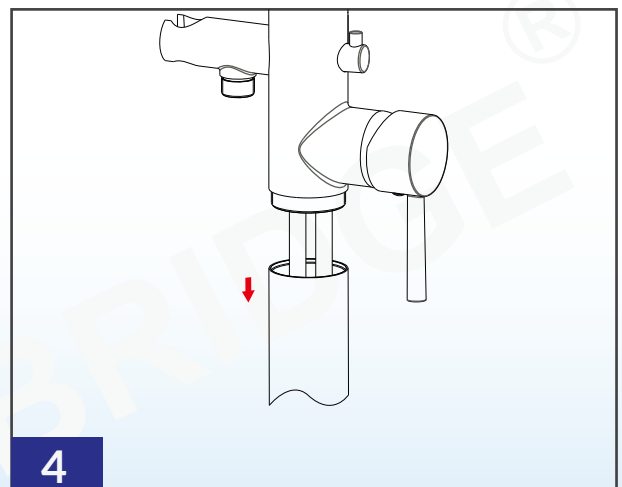


Step 2: Thread the tube onto the mounting tripod.

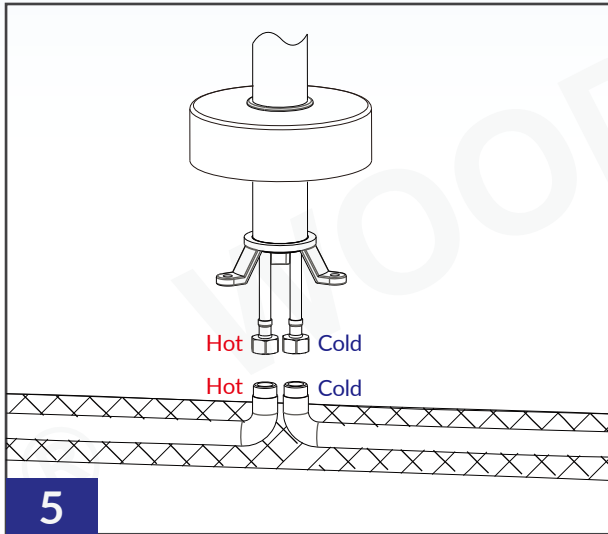


Step 3: Hand tighten the hot and cold flexible water supply line onto faucet body.

DO NOT USE wrench or Spanner to tighten as it could damage the O-Ring on the supply lines. The flexible supply line are to be fitted onto correct inlets for Hot and Cold water.

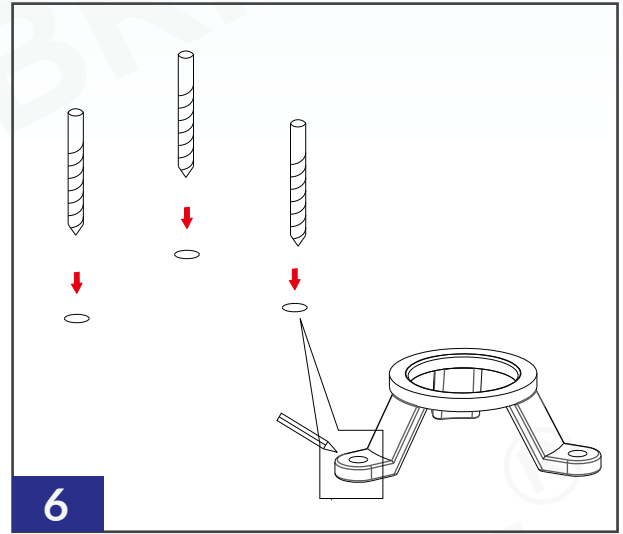


Step 4: Insert faucet body assembly onto the faucet tube from the top and hand tighten it. Make sure the flexible water supply lines go through the tube smoothly.



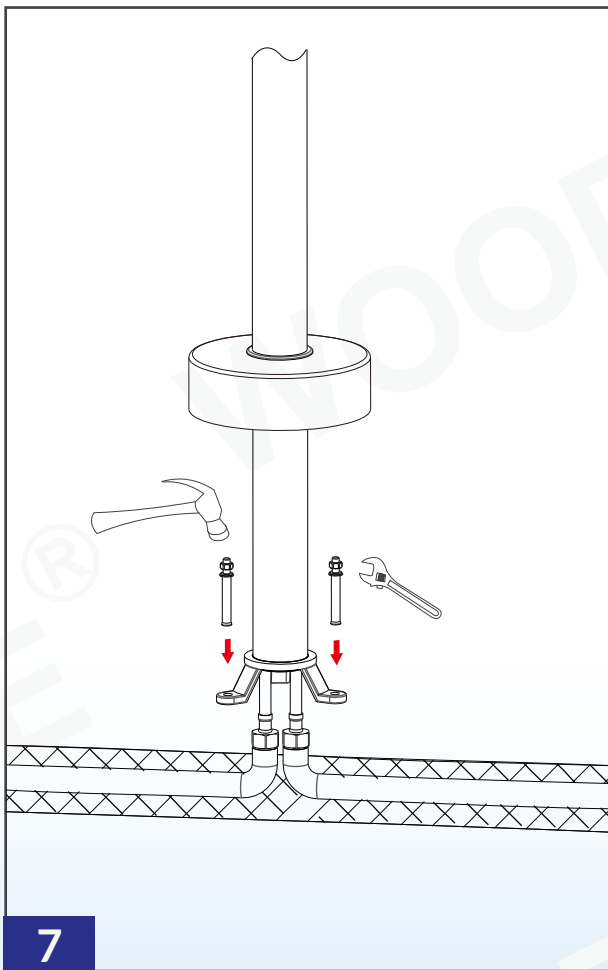
5

Step 5: Locate the faucet assembly onto the rough valves from floor, and secure the connection of inlet supply lines to the valves. **DO NOT** reverse the Hot and Cold supply.



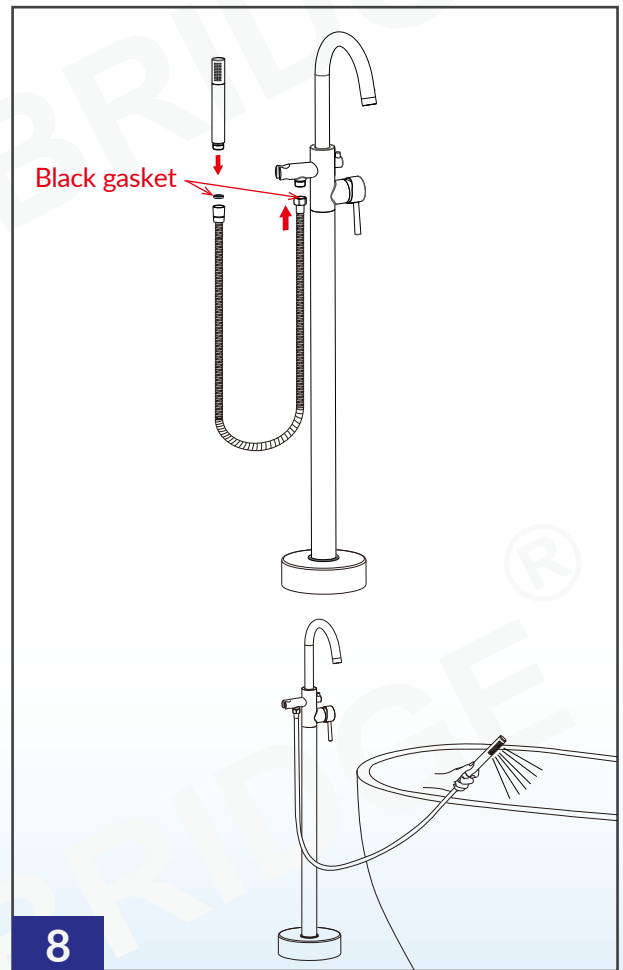
6

Step 6: Secure the mounting tripod onto the floor using the attached mounting screws.



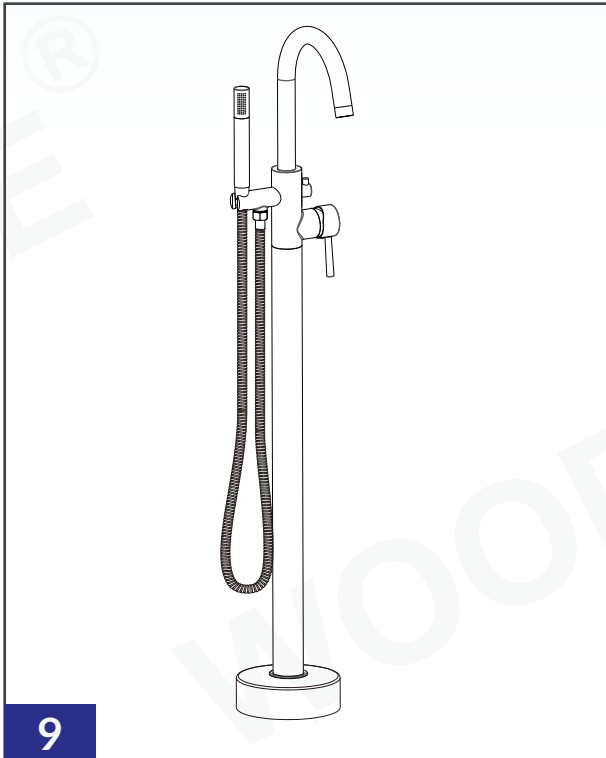
7

Step 7: Use the explosive screw to fix the base on the floor and place the base cover over the valve.

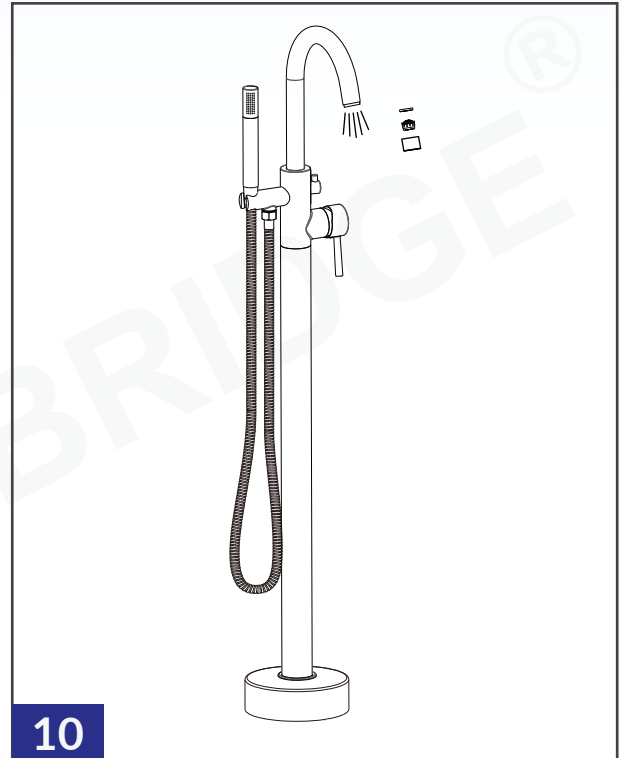


8

Step 8: Make sure the black gasket is in the hose end with flats, thread hose onto outlet and tighten it. Turn the supply lines on and turn the handle to full operate position, hold the hose inside the tub and let it flush for one minute.



Step 9: Install hand held shower to the hose and check for any leak between hose connection and hand held shower



Step 10: Remove the aerator from the spout (if any) and switch the diverter from hand held shower to spout mode and let both hot and cold water flush for one minute to clear any debris from water lines. Replace aerator and faucet is ready to use.

WARNING !

DO NOT LEAN ON, STEP ON OR USE THIS FAUCET AS A SUPPORT TO GET IN AND GET OUT FROM THE TUB.



Thank you for using WoodBridge products!

Customer Service Phone: 562-229-0088. (Monday - Friday 9 AM - 5 PM Pacific Time)

Or Email: help@woodbridgebath.com