

# INSTALLATION AND OPERATION GUIDE

## LED MEDICINE CABINET

---

**WOODBIDGE®**

**Model: M2028**

**Model: M3028**

**Model: M4028**



**READ ALL INSTRUCTIONS BEFORE UNPACKING THE PRODUCT**

We are not responsible for local code compliance for this product. Building and plumbing codes may vary from state-to-state in accordance to your location. We are not responsible for providing any compliance certifications.

Under no circumstances we are liable for any and all incidental damages sustained in connection with this product. Neither manufacturer, distributor or retailer is responsible for water damage or flood caused by the usage of this product.



Under no circumstances we are liable for any and all fees, cost of installation/reinstallation/removal, subsequent damages or transportation in case of the product defect.

## Safety Instructions



Please read the instructions carefully before installation and keep it available for future maintenance or reference.

Failure to observe this instruction can cause body injury and property damage.


### Explanation of symbols

 <b>Warning</b>	Refers to an immediately dangerous situation that will cause serious injury or death.
 <b>Caution</b>	Refers to a potentially dangerous situation that may cause slight or moderate injury or property damage.

### Explanation of symbols

Symbol	Indication
	Refers to prohibited activities.
	Refers to mandatory activities.

### **Warning** — To reduce the risk of burns, electrocution, fire, or injury to persons:

 <b>Mandatory activities</b>	<ul style="list-style-type: none"> <li>• Before using the product, install reachable power cut equipment outside the product.</li> <li>• Only for safety use in areas with altitude below 2000m. (6561 feet)</li> </ul> <p><b>Grounding Instructions</b></p> <ul style="list-style-type: none"> <li>• This product should be grounded. In the event of an electrical short circuit, grounding reduces the risk of electric shock by providing an escape wire for the electric current. This product is equipped with a cord having a grounding wire.  <b>WARNING</b> – Improper use of the grounding plug can result in a risk of electric shock.</li> <li>• If repair or replacement of the cord is necessary, do not connect the grounding wire to either flat blade terminal. The wire with insulation having an outer surface that is green with or without yellow stripes is the grounding wire.</li> <li>• Check with a qualified electrician or service personnel if the grounding instructions are not completely understood, or in doubt as to whether the product is grounded properly.</li> <li>• The product is factory-equipped with a specific electric cord. If the product must be reconnected for use on a different type of electric circuit, the connection should be made by qualified service personnel.</li> <li>• If the power cord is damaged, repairs should only be carried out by a qualified technician.</li> </ul>
--	---

## Warning



- Do not try to disassemble the device. The disassembly of the device by unauthorized personnel may damage the device. And will also void the device warranty.
- Do not handle the electrical plug with wet hands.
- Never operate this product if it has a damaged cord or plug. Call for professional service.
- The product should be used with a grounded socket rated at least 15A. Do not other electric appliances in the same socket.
- The plug should be fully inserted into the socket.

## Caution



- Do not place the product in a location exposed to direct sunlight as this will shorten the life of the electronic components.
- Avoid placing other objects within a distance of at least (5") below the infrared sensor or mirror objects facing the sensor within (9.8") , so that performance is not impaired.
- Only for indoor use. Avoid exposing the product to rain or moisture.
- Never immerse the product in water or other liquid.
- Avoid direct exposure to sunlight and keep away from heat sources. The device may not operate normally otherwise.
- Do not use any sharp items to damage the product as this may crush and cause injury.
- Do not attempt to disassemble the product for any kind of repairs. This is to prevent damage to the product, and it also voids the warranty.
- Do not place the product in very cold (under -5°C) or very hot (over 40°C) environments as this may cause the device not to operate normally.
- Do not insert pins, iron wires, or other objects into product holes.
- Do not move, shake, or tilt the product during operation.
- Do not place the product in unstable or humid places.
- Keep a distance from the heating area when the defogger is in operation, to avoid burns.

## Before Installation



**WARNING:** Risk of electric shock. Disconnect power before installation.



**WARNING:** Risk of electric shock. Connect only to a properly grounded, grounding-type receptacle supplied by a 120~, 60Hz power and protected by a Residual Current Device (RCD).

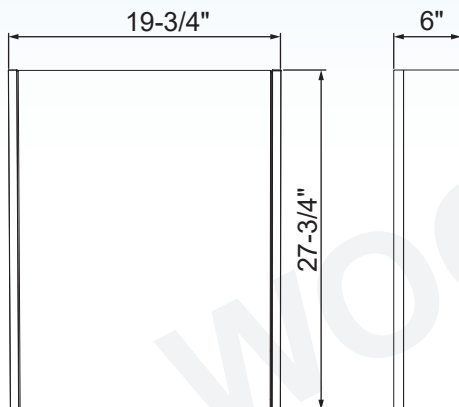
It is important to identify the type of wall where the medicine cabinet will be installed and prepare the installation location accordingly.

- \* Install an anchoring brace in the wall before installing the drywall, this can be a 2" x 6" piece of wood that will fit between the two studs, then install drywall and finish as usual. Due to the excessive weight of this medicine cabinet, It should not be mounted to drywall unless it is properly secured to the anchoring brace.

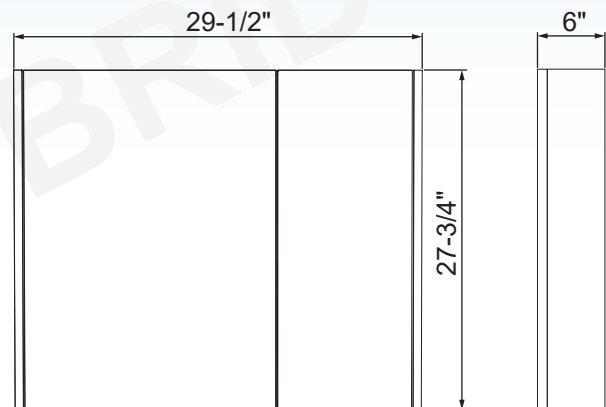
## Product Model & Specification

Unit: inch

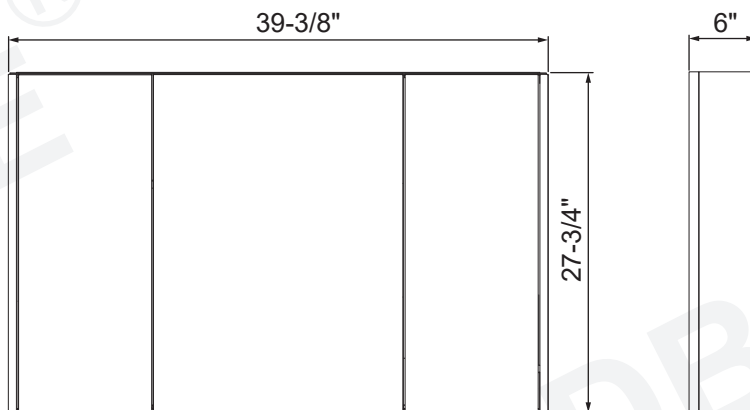
M2028



M3028



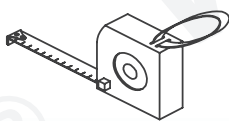
M4028



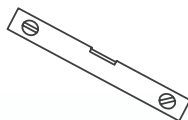
### Note:

1. The drawing is for reference only, and we reserve the right to modify the product appearance, without prior notice.
2. Product appearance is subject to change in kind, without prior notice.

## Preparation Tools



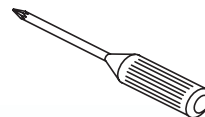
Tape Measure



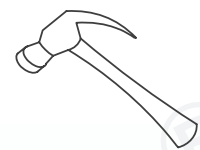
Level



Electric drill



Screwdriver



Hammer

## Mounting Kits



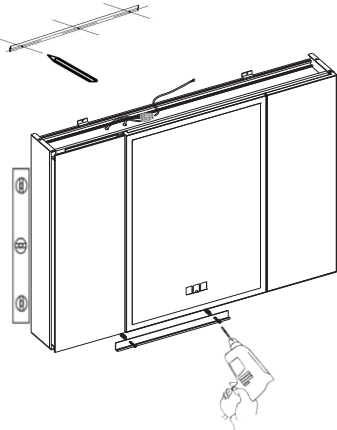
Lower mounting bracket × 1



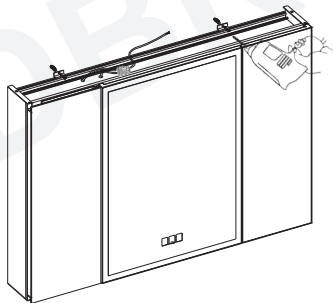
Expansion Anchors +  
M4 wall mounted screws  
× 4

## Installation Procedure

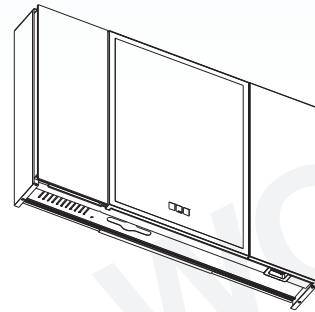
- 1 Install the lower mounting bracket after calibrating the product: Once you've leveled the product using a leveling device, remove the lower mounting bracket and mark the hole positions on the wall. Drill holes at these marks, insert the expansion anchors, and then secure the lower mounting bracket by tightening the M4 screws.



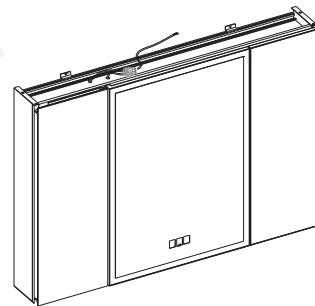
- 3 Secure the mirror cabinet: Position the wall-mounted piece at the desired location, aligning it with the wall holes. Drill into the marked spots, insert the expansion anchors, and tighten the M4 screws to secure the mirror cabinet in place.



- 2 Install the mirror cabinet on the wall: Insert the mirror cabinet into the lower mounting bracket, ensuring it fits securely from top to bottom.

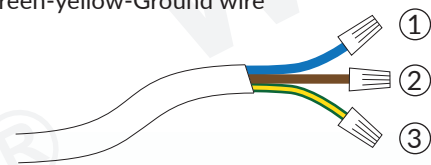


- 4 Connect the power cord: Plug the three-core power cord into the appropriate power source.



Three core wire

1. Blue-neutral wire
2. Brownish grey-Fire wire
3. Green-yellow-Ground wire



## Points for Attention

### Warning:

To ensure the safety of users, the earth wire needs to be strictly grounded during installation.

1. Do not disassemble it to prevent electric shock;
2. The power of using electrical appliances shall not exceed 2000W in total;

## Technical Specification

	Rated voltage	125V
	Rated frequency	60Hz
	Ambient temperature	-5°C ~ 40°C (23F ~ 104F)
	Power cord length	About 1.2m (47-1/4")
Lighting	Rated voltage	DC 24V
	Max power	7.5W*2
	Color temperature	LED 3000K, 4500K, 6000K
	Installation location	Two side of cabinet
Defogger (electrical heating)	Heating power	18W
	Size	250mm*300mm
	Installation location	Back of outer mirror
Socket	AC	American standard, 14A, 3-hole; Maximum output power: 1400W
	DC	USB charging port (Maximum total current of 2 USB ports is 3.6A.)
	Installation location	Inner cabinet

This device complies with Part 15 of the FCC Rules. Operation is subject to the following two conditions:

- (1) This device may not cause harmful interference
- (2) This device must accept any interference received, including interference that may cause undesired operation.

Caution: Changes or modifications not expressly approved by the party responsible for compliance could void the user's authority to operate the equipment.

NOTE: This equipment has been tested and found to comply with the limits for a Class B digital device, pursuant to Part 15 of the FCC Rules. These limits are designed to provide reasonable protection against harmful interference in a residential installation. This equipment generates, uses and can radiate radio frequency energy and, if not installed and used in accordance with the instructions, may cause harmful interference to radio communications.

However, there is no guarantee that interference will not occur in a particular installation. If this equipment does cause harmful interference to radio or television reception, which can be determined by turning the equipment off and on, the user is encouraged to try to correct the interference by one or more of the following measures:

- Relocate the receiving antenna.
- Increase the separation between the equipment and receiver.
- Connect the equipment into an outlet on a circuit different from that to which the receiver is connected.
- Consult the dealer or an experienced radio/TV technician for help.

## Using the Mirrored Cabinet

### 1 Operation instructions

1. Touch Switch: Light in blue, power off. When the light is white, power on.
2. Switch light color: Three-color switching, white, yellow, and white with yellow.
3. Defog Switch: Light in blue, function close. Light in blue, function on.

### 2 Socket/USB

The socket/USB is located inside the cabinet.

### 3 Cleaning the device

Please shut down the device before cleaning. Do not use any kind of chemical detergent to wipe the device. It is recommended to use a soft, fine, non-corrosive cloth.

Woodbridge warrants its products as listed in below to be free of material and workmanship defect, subjected to the limitations set forth in this limited warranty.

- Bathtub, Whirlpool/Air Bubble Massage Tub, Wooden Cold Plunge: 1 Year limited to be free of defects in material and workmanship.
- Toilet and Bidet: 1 Year limited to be free of defects in material and workmanship.
- Faucet: 1 Year limited to be free of defects in material and workmanship.
- Vanity: 1 Year limited to be free of defects in material and workmanship.
- Granite, Marble, Engineered Quartz Vanity Top: 1 Year limited to be free of defects in material and workmanship.
- Medicine Cabinet, LED Mirror: 1 Year limited to be free of defects in material and workmanship.
- Stainless Steel Sink: 1 Year limited to be free of defects in material and workmanship.
- Solid Surface Shower Wall Panel, Shower Base and Vanity Top: 10 Years limited warranty to be free from material defects.
- Shower Door: Lifetime warranty on glass components and 1 Year limited on other hardware.

This limited warranty is non-transferable and only applies to products purchased and installed in the United States and Canada.

This limited warranty excludes all industrial, commercial and business usage. Proof of purchase (original sales receipt) from the original purchaser, Description and pictures of defect, model number or model description must be provided to Woodbridge Bath for all warranty claims and Woodbridge Bath IS NOT responsible for labor cost, removal or installation costs.

This limited warranty shall not apply to goods which have been subject to accident, negligence, improper installation, product abuse, product misuse, or use of cleaners containing abrasives, alcohol or other organic solvents, whether performed by a contractor, service company, or yourself, are excluded from this warranty.

This warranty does not cover surface damaged caused by use of chemicals that break through or dissolve the surface finish or damage caused by the accidental dropping of sharp or heavy objects. Improper care and use of abrasive cleaners and will void the warranty.

During this limited warranty period if a malfunction occurs and after inspection it is determined that a defect developed during normal use, Woodbridge will as at its election proceed with any of the following options:

- (1) repair or replace the defective part(s) or product(s) at cost
- (2) issue a refund of the original purchase price of the product(s) (Valid within 30 days from the date of purchase)
- (3) issue a credit to be applied toward the purchase of a new product. Shipping/delivery charges may apply and are in sole discretion.

**Caution:**

NEVER use cleaners containing abrasive cleaners, ammonia, bleach, acids, waxes, alcohol, solvents or other products that are not recommended for Chrome finish will void the warranty.

Woodbridge products should be installed by a fully insured and licensed contractor only. Installation by anyone other than fully insured and licensed contractor will void this limited warranty.

## RESPONSIBILITIES OF OTHERS

Inspecting the unit prior to installation is the responsibility of the installer or building contractor who acts on behalf of the user. They are responsible for ensuring the unit is free of defect or damage. Notices are placed on the unit and on the shipping carton advising the installer of this responsibility. In the event of a problem, the unit must not be installed. Woodbridge is not responsible for failures or damage that could have been discovered, repaired, or avoided by proper inspection and testing prior to installation.

Damage occurring in transit is the responsibility of the carrier. The user or installer MUST open the crate and inspect the unit for damage when it is delivered. If damage is discovered, it must be reported immediately to the seller and the carrier in writing, and an inspection requested. Failure of the carrier to respond should be reported to the seller and the carrier. Your freight claims should be filed promptly thereafter.

This limited warranty does not cover any liability for consequential or incidental damages, all of which are hereby expressly disclaimed, or the extension beyond the duration of this limited warranty of any implied limited warranties, including those of merchant ability or fitness for an intended purpose.

## DISCLAIMER

Except as expressly provided, there shall be no warranty or obligation, express or implied, oral or statutory. No dealer or other person has the authority to make any warranties or representations concerning or its products. In no event shall be held responsible for any such warranties or representations.

Some states/provinces do not allow limitations on how long an implied warranty lasts, or the exclusion on limitation of special, incidental or consequential damages, so these limitations and exclusions may not apply to you. This warranty gives you specific legal rights, you may also have other rights which vary from state/province to state/province.

To obtain warranty and replacement parts, please send e-mail to [help@woodbridgebath.com](mailto:help@woodbridgebath.com) with the original receipt information, Woodbridge will determine whether to repair or replace your product, issue a refund or issue a credit.

**IMPORTANT!**

**DO NOT USE:** Abrasive cleaners such as: acid, ammonia, bleach, and similar solutions. Use of such solutions may cause corrosion, finish peeling, and/or dull the surface.

**DO NOT USE:** Abrasive sponges or cloth. Never use steel, wool, or wired brushes that will permanently scratch the

**Retain these installation instructions for future reference!**

Thank you for using WOODBRIDGE products!

**WOODBRIDGE<sup>®</sup>**

California (Norwalk) Distribution Center  
15600 Blackburn Ave, Norwalk, CA 90650

New Jersey (Somerset) Distribution Center  
635 Pierce St, Somerset, NJ 08873

Florida (Orlando) Distribution Center  
13645 S Orange Ave, Orlando, FL 32824

Canada (Ontario) Distribution Center  
615 Orwell Street, Unit B, Mississauga, ON L5A2W4, Canada



**Please don't hesitate to contact us if you have any questions or concerns.**

**Customer Service Phone: 562-229-0088. (Monday - Friday 9 AM - 5 PM Pacific Standard Time)**

**Or Email: [help@woodbridgebath.com](mailto:help@woodbridgebath.com)**