

INSTALLATION MANUAL

WOODBIDGE[®]

Solid Surface Shower Wall Kits and Panels



Customer Service Phone: 562-229-0088. (Monday - Friday 9 AM - 5 PM Pacific Time)

Or Email: help@woodbridgebath.com

www.woodbridgebath.com

20200909 REV. 1

!!!Consult your local building codes with questions on installation compliance standards. Building and plumbing codes may vary by location, Woodbridge Bath is not responsible for code compliance standards for your project!!!

Before You Begin

Woodbridge shower wall panel can be installed in both showers and alcove tub installations. Can be cut to fit any application.

Recommended Tools

- 100% clear silicone sealant, and Performance Pro or similar Adhesive
- Circular saw with 60 to 80 tooth carbide blade
- Jig-Saw with carbide or bi-metal blade (14 teeth per inch)
- Drill with 3/8" drill bit
- Hole saw for shower faucet/shower head
- Tape measure
- Masking tape (2" wide works best)
- Level
- Caulking gun
- Clean paper towels or shop towels
- 2 x 4 lumber, as required for bracing
- Denatured alcohol

Unpacking

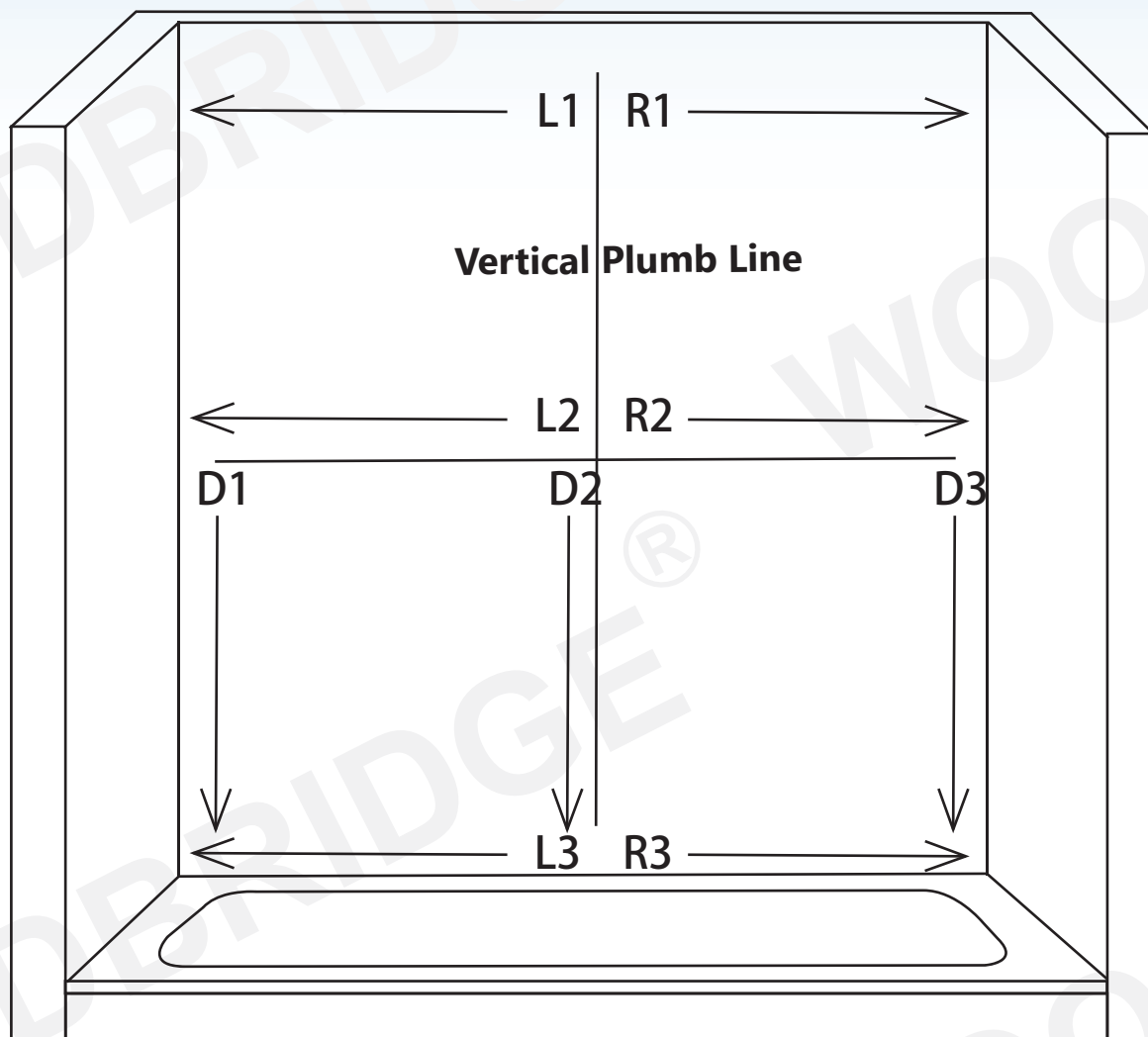
- Use care when opening the box so that you do not damage the panels.
- This product is shipped to you after careful inspection. After purchasing the kit, carefully unbox and inspect the product for any shipping damage that may have occurred. If damage is found, report it immediately to the source of purchase. After inspection and during installation, protect the products from construction damage by moving them to another room or area until ready to install.
- Store panels in a flat area to avoid warpage until the time of installation. Do not store the panels outside of the original packaging in a vertical position.
- Please use the model number located on the side of the box or the front of this manual when contacting us with questions concerning the installation of this unit.
- Make sure the walls are the correct size and are in good condition. Installation of damaged product will void the warranty.

1. Woodbridge Shower Wall Panels are designed to be installed over a solid substrate such as green board, cement backer board, or Densshield. The substrate should be clean, dry, and free of dust and debris.
2. If installing a new bathtub or shower base prior to Woodbridge shower wall panel installation, follow the manufacturer's instructions, and install the tub or base level and square to the walls.
3. Turn off the water supply and complete any plumbing modifications prior to installing your. Leave handles and trim off until surround is installed. Plan the placement of the shower head such that it is either above the height of the wall panels or at least 2" below the top of the wall panels. This will allow room for the escutcheon plate.
4. Detail edging products such as Schluter systems can be utilized to finish exterior edges to match your bath hardware.

Installation

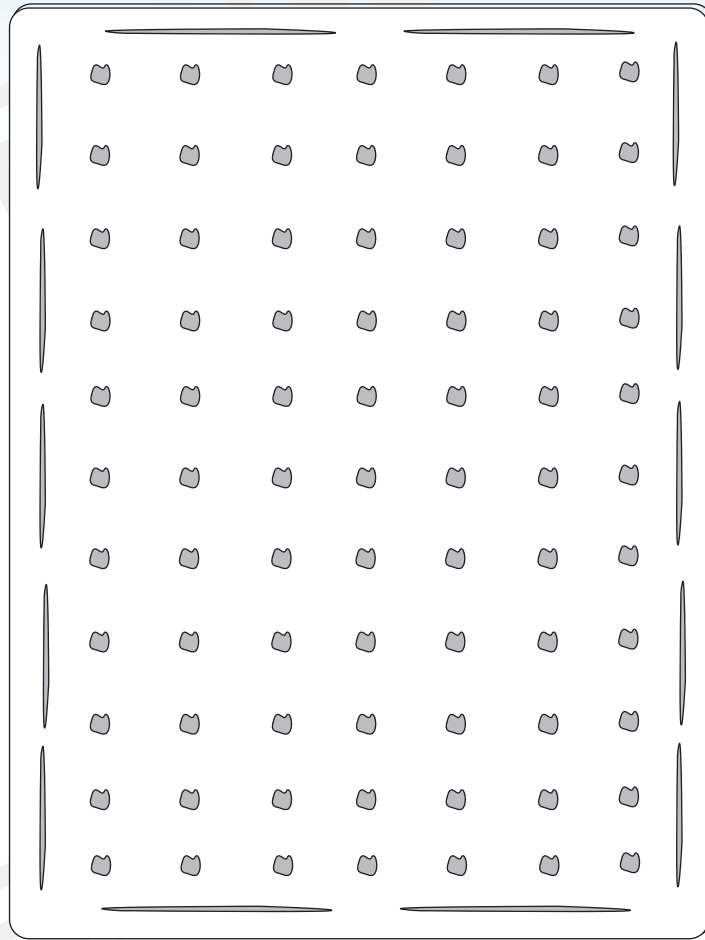
1. Installation of back wall panel.

- A. The back panel must be fit to both the left and right corners, and to the tub or shower base. Keep in mind that walls may not be square or plumb, so you will want to measure width of the alcove at both the bottom and top of the alcove prior to trimming panel. (See Fig for a technique for achieving good fit measurements.) Trim the panel to size with a utility knife, jigsaw with small tooth metal or carbide blade, and dry fit until a tight fit is achieved.



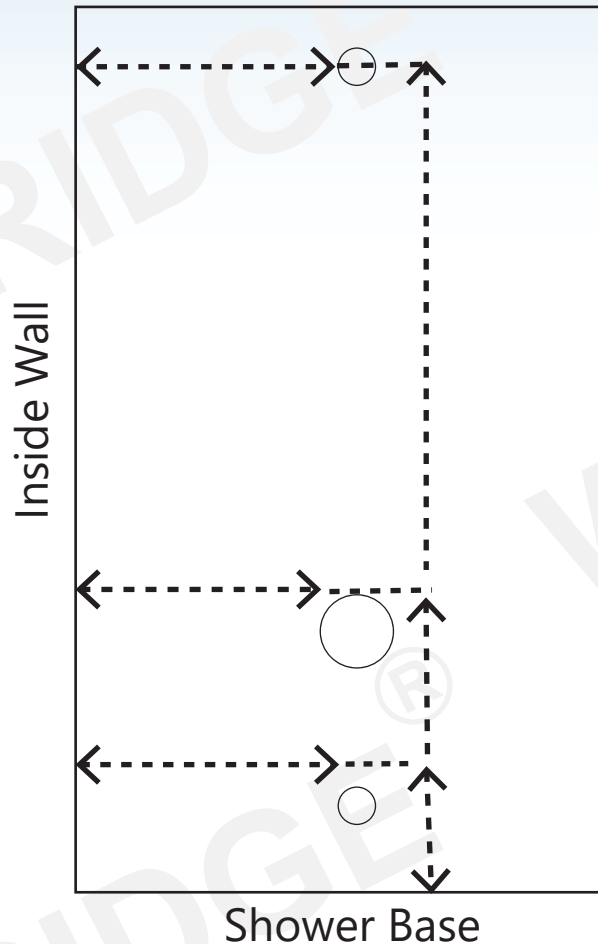
How to Measure: Draw a vertical plumb line directly on the middle of the sheet-rock from top to bottom of wall. Now draw a horizontal level line crossing the plumb line about halfway up the wall. Record measurements left from the vertical line to corner at top, middle and bottom (L1, L2, L3), then right from the vertical line to corner (R1, R2, R3.) Now record measurements down from the horizontal line to the tub (D1, D2, D3.) Transfer these measurements to your back wall panel (A).

B. When satisfied with the fit, clean burs from any rough edges. Generously apply Performance Pro or similar Adhesive in lines or blobs to the back of the panel in a pattern every 3 to 4 inches. Use approximately one 10oz tube per 8 square feet following adhesive directions on tube. Push the panel in place, lightly pounding to achieve good bond. Avoid making an airtight seal around the exterior as air is needed in the curing process. Adhesive should be applied as in Fig



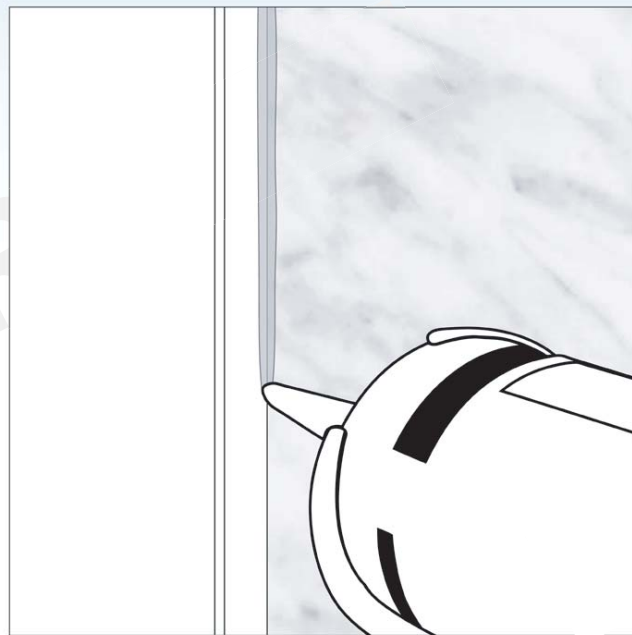
2. Installation of wall panel with plumbing fixtures.

- A. Hold side panel as close to plumbing wall as possible. Scribe and trim the inside edge and bottom edge against the shower base for best fit before measuring, marking, and cutting holes for plumbing fixtures. The overall depth of the side wall panels can also be trimmed down to fit the opening or the depth of your shower base.



NOTE: You will be able to make smaller adjustments to the panel for a more accurate fit after the holes are cut and your panel can be firmly pushed into the corner. Keep in mind the size and coverage of the trim kit and escutcheons.

- B. For each hole to be cut, measure the vertical distance between the center of the plumbing fixture and the shower base. Measure the horizontal distance between the center of the fixture and the installed back wall panel. Mark the center of the fixtures on the face of the panel.
- C. Using a drill, make a small pilot hole in marked locations. Using a jigsaw, hole saw, or paddle bit cut out each hole in the panel to the appropriate size for the particular pipe or fixture. Make each hole only as large as necessary for access to the plumbing.
- D. With holes drilled so the panel now fits over the plumbing, you can more accurately adjust the fit of the panel into the back corner and against the shower base from previous steps.
- E. Prior to adhering the plumbing wall panel, seal the joint with the back panel and the joint with the shower base using a small bead of 100% Silicone applied into the corner. This can be tooled and cleaned with denatured alcohol and clean painters rags.



- F. A small amount of silicone should be applied around the back of each plumbing hole penetration.

3. Installation of opposite side wall panel.

- A. Use same procedures as in steps 2.A-2.F except that no holes will be drilled in this panel. Dry fit first, and then apply silicone to seal the back wall and shower base corner, and adhesive to panel as you did on previous side panel installation.

4. Seal all joints and check that all areas of panel are held firmly in place.

- A. Apply silicone sealant to all corners and verify there are no loose areas on all panels. Use 2x4 lumber to brace areas if needed until adhesive cures. (Typically 24hrs depending on ambient temperature)
- B. Once cured utilize denatured alcohol and clean painters rags to clean up any residue from installation.
- C. Finish



Customer Service Phone: 562-229-0088. (Monday - Friday 9 AM - 5 PM Pacific Time)

Or Email: help@woodbridgebath.com

www.woodbridgebath.com